



**10.1 inch LCD MIPI DSI
Capacitive Touch Display
1280x800
V1.0**

Datasheet



RVT101HVDNWC00-B V1.0A

MIPI DSI, IPS 10.1" LCD TFT DATASHEET

Rev.1.0
2023-11-15

ITEM	CONTENTS	UNIT
LCD Type	TFT/Transmissive/Normally Black/IPS	/
Size	10.1	Inch
Viewing Direction	Free	/
Outside Dimensions (W x H x D)	257.96 x 168.60 x 12.66	mm
Active Area (W x H)	216.96 x 135.60	mm
Pixel Pitch (W x H)	0.1695 x 0.1695	mm
Resolution	1280 x 800	/
Brightness	850	cd/m ²
Color Depth	16.7 M	/
Pixel Arrangement	RGB Vertical Stripe	/
Driver IC of Board	SN65DSI83	/
Interface	MIPI DSI	/
EEPROM Memory Size	2-Kbit	Mb
Host Connector	ZIF 34 pins, 0.5mm pitch, down-side contact	/
With/Without Touch	With Projected Capacitive Touch Panel	/
CTP Driver	ILI2132A	/
Supply Voltage for Module	5.0	V
Bonding Technology	Optical Bonding	/
Weight	456	g

Note 1. RoHS compliant

Note 2. LCM weight tolerance: $\pm 5\%$.



1. REVISION RECORD

REV NO.	REV DATE	CONTENTS	REMARKS
1.0	2023-11-15	Initial release	



2. CONTENTS

- 1. REVISION RECORD..... 2
- 2. CONTENTS..... 3
- 3. MODULE CLASSIFICATION INFORMATION..... 4
- 4. ASSEMBLY GUIDE..... 5
 - 4.1 uxTouch ASSEMBLY 5
- 5. MODULE DRAWING..... 6
- 6. ABSOLUTE MAXIMUM RATINGS..... 7
- 7. ELECTRICAL CHARACTERISTICS 7
- 8. BACKLIGHT ELECTRICAL CHARACTERISTICS..... 8
- 9. ELECTRO-OPTICAL CHARACTERISTICS..... 8
- 10. INTERFACES DESCRIPTION..... 10
 - 10.1 J1 connector..... 10
- 11. DIAGRAM BLOCK..... 11
- 12. TFT TIMING CHARACTERISTICS 12
 - 12.1 Timing table..... 12
- 13. CAPACITIVE TOUCH SCREEN PANEL SPECIFICATIONS..... 12
 - 13.1 Mechanical characteristics..... 12
 - 13.2 Electrical characteristics..... 12
- 14. INSPECTION 13
 - 14.1 Inspection condition 13
 - 14.2 Inspection standard..... 14
- 15. RELIABILITY TEST..... 15
- 16. LEGAL INFORMATION 16



3. MODULE CLASSIFICATION INFORMATION

RV	T	101	H	V	D	N	W	C	00	B	V1.0A
1.	2.	3.	4.	5.	6.	7.	8.	9.	10.	11.	12.

NO.	PARAMETER	SYMBOL
1.	BRAND	RV – Riverdi
2.	PRODUCT TYPE	T – TFT Standard
3.	DISPLAY SIZE	101 – 10.1”
4.	MODEL SERIAL NO.	H – High Brightness, IPS
5.	RESOLUTION	V – 1280 x 800 px
6.	INTERFACE	D – MIPI DSI
7.	FRAME	N – Without Mounting Metal Frame
8.	BACKLIGHT TYPE	W – LED White
9.	TOUCH PANEL	C – With Capacitive Touch Panel
10.	VERSION	00 – (00-99)
11.	BONDING TECHNOLOGY	B – Optical bonding
12.	REVISION	V-1.0A



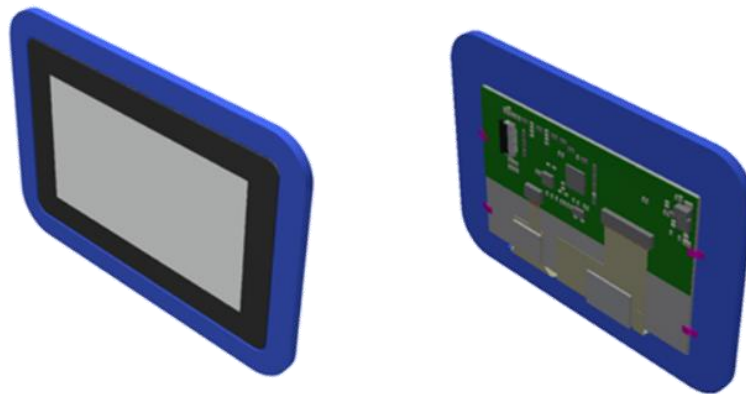
4. ASSEMBLY GUIDE

4.1 uxTouch ASSEMBLY

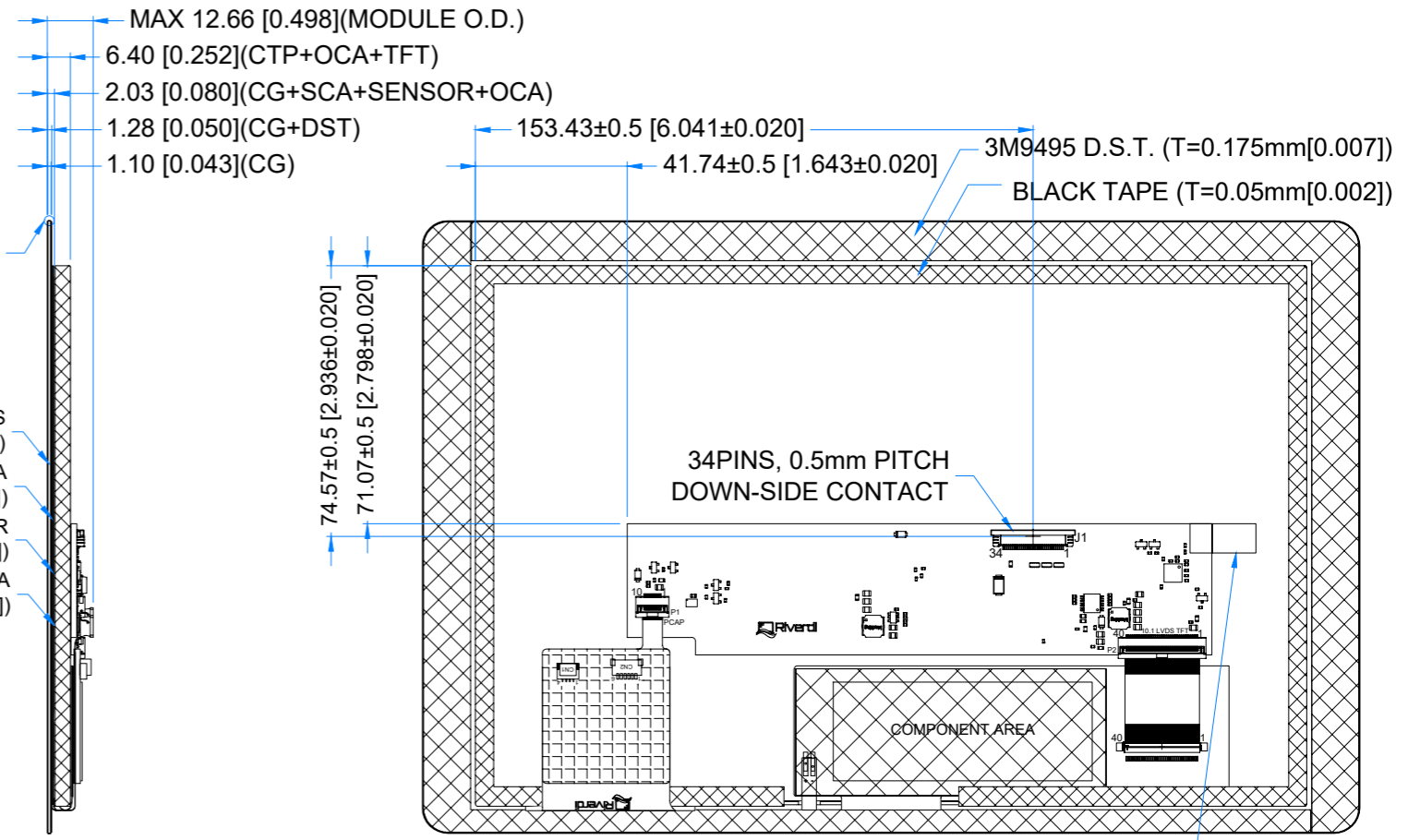
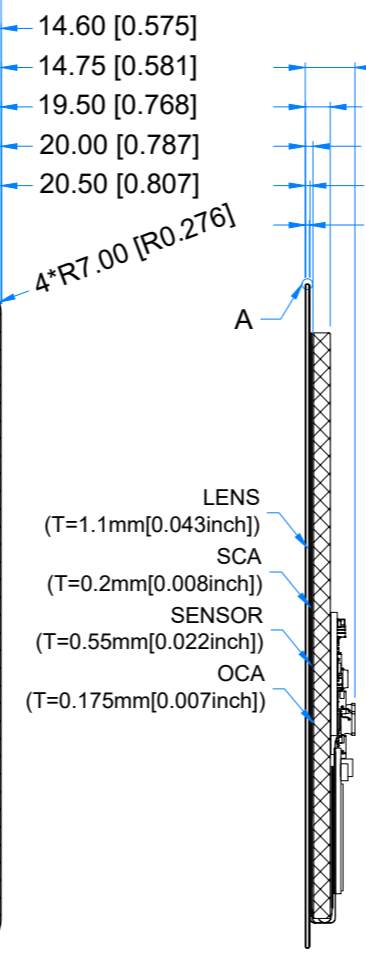
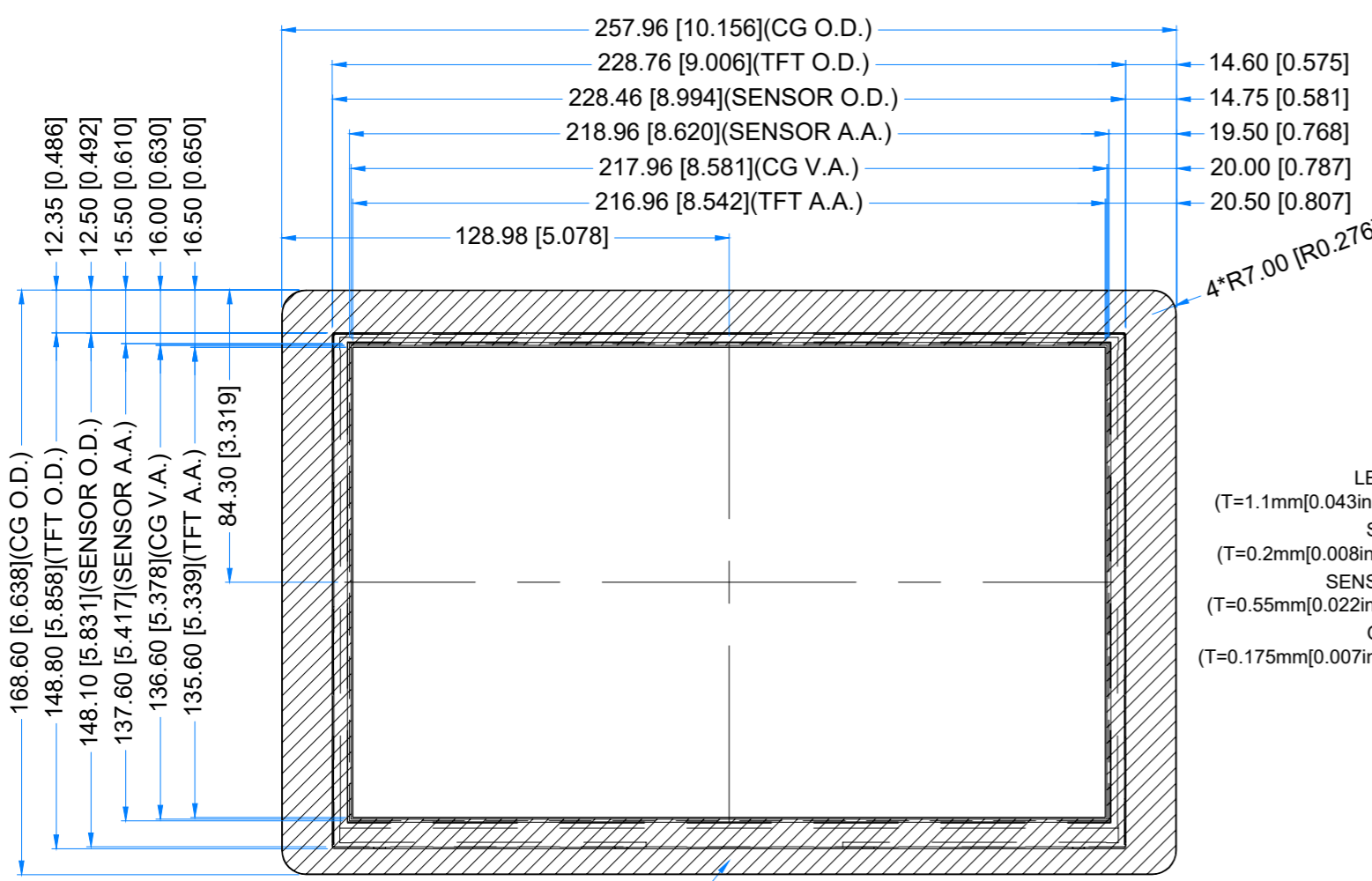
uxTouch are LCD TFT displays with specially designed projected capacitive touch panels. uxTouch display can be mounted without any additional holes in the housing. Our standard uxTouch displays include double-sided adhesive tape (DST) to stick TFT easily to the housing.

uxTouch models with double-side adhesive tape can be mounted by fastening the glass to the housing.

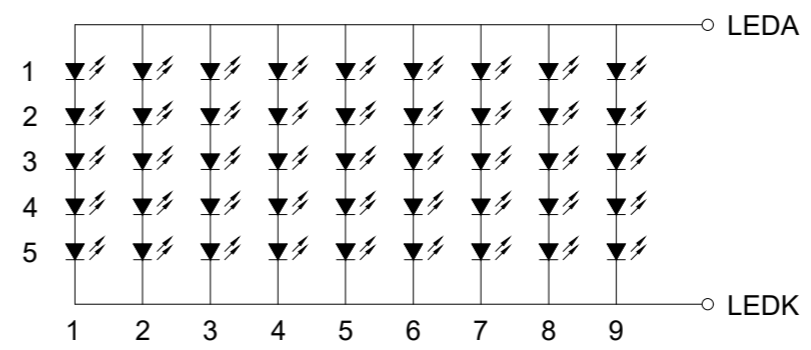
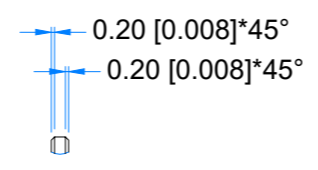
Figure 1. General view of the module



Revision:	Changes:	Date:
1.0	Initial Case	2023.08.08



DETAIL A
 SCALE 4:1



LED Diagram Circuit

LCD NOTES:
 1. LCD TYPE: TRANSMISSIVE, NORMALLY BLACK, IPS
 2. RESOLUTION: 1280x800
 3. VIEWING ANGLE: FREE
 4. SURFACE LUMINANCE: 850 cd/m²
 5. DRIVING IC ON THE BOARD: SN65DSI83ZXHR
 6. INTERFACE: MIPI DSI
 7. SUPPLY VOLTAGE FOR MODULE: 5.0 V

TP NOTES:
 1. TP STRUCTURE: G+G
 2. CG THICKNESS: 1.10mm[0.043inch]
 3. SURFACE HARDNESS: 7H
 4. DRIVER IC: ILI2132A
 5. INTERFACE: I2C INTERFACE

GENERAL NOTES:
 1. ZERO BAD PIXELS FOR TFT
 2. OPTICAL BONDING
 3. OPERATING TEMPERATURE: -20°C ~ 70°C
 4. STORAGE TEMPERATURE: -30°C ~ 80°C
 5. WITHOUT INDIVIDUAL TOLERANCE:
 ±0.3mm[0.012inch]
 6. RoHS COMPLIANT

PN: RVT101HVDNWC00-B V1.0A
 SN:
 DRAWN: M.Natywa
 CHECKED: Carol Gao
 APPR:



2023.08.08	1:1.92	ISO A3	P. 1 of 1
2023.09.04	[mm]		



6. ABSOLUTE MAXIMUM RATINGS

PARAMETER	SYMBOL	MIN	MAX	UNIT	NOTE
Supply Voltage for Module	V_{DD}	0	7.4	V	Note 1
Reference Voltage	V_{REF}	0	4.6	V	
PWM Input Voltage	V_{PWM}	-0.3	7.4		
Operating Temperature	T_{OP}	-20	70	°C	
Storage Temperature	T_{ST}	-30	80		
Storage Humidity (@ 25 ± 5°C)	H_{ST}	10	-	% RH	
Operating Ambient Humidity (@ 25 ± 5°C)	H_{OP}	10	-		

Note 1. Exceeding maximum values may cause improper operation or permanent damage to the unit.

7. ELECTRICAL CHARACTERISTICS

PARAMETER	SYMBOL	MIN	TYP	MAX	UNIT	NOTE
Supply Voltage for Module	V_{DD}	-	5.0	-	V	
Reference Voltage	V_{REF}	0	-	3.6		Note 1
Current drawn from V_{REF}	$I_{V_{REF}}$	-	1.5	-	µA	$V_{REF}=1.8V$
Input High Voltage	V_{IH}	$0.7V_{REF}$	-	-	V	
Input Low Voltage	V_{IL}	0	-	$0.3V_{REF}$		
PWM Logic High Voltage	V_{PWMH}	1.2	-	V_{DD}	V	Note 2
Input Voltage Low Voltage	V_{PWML}	0	-	0.4		
PWM Frequency	F_{PWM}	200	-	1000	Hz	

Note 1. TYP of Reference Voltage is 1.8V or 3.3V which is dependent on the SBC.

Note 2. PWM input is independent of V_{REF} . Min of logic high level is 1.2V and max of logic low level is 0.4V.

PARAMETER	SYMBOL	BL 0%	BL 50%	BL 100%	UNIT	NOTE
Current drawn from $V_{DD}@5.0V$	$I_{V_{DD}}$	270	730	1270	mA	Note 3

Note 3. BL 0%. current was measured with BL brightness set to 0%,

BL 50%.current was measured with BL brightness set to 50%,

BL 100%.current was measured with BL brightness set to 100%.

Test condition:

1. Ambient temp 25 °C
2. PCAP is in active mode



8. BACKLIGHT ELECTRICAL CHARACTERISTICS

PARAMETER	SYMBOL	MIN	TYP	MAX	UNIT	NOTE
Lifetime	-	-	50,000	-	hours	Note 1

Note 1. Operating life means the period in which the LED brightness goes down to 50% of the initial brightness. Typical operating lifetime is the estimated parameter.

9. ELECTRO-OPTICAL CHARACTERISTICS

ITEM	SYMBOL	CONDITION	MIN	TYP	MAX	UNIT	RMK	NOTE
Response Time	Tr+Tf		-	25	35	ms	FIG 2.	4
Contrast Ratio	Cr	$\theta=0^\circ$ $\varnothing=0^\circ$ $T_a=25^\circ\text{C}$	800	1000	-	---	FIG 3.	1
Luminance Uniformity	δ WHITE		-	75	-	%		3
Surface Luminance	Lv		-	850	-	cd/m ²		2
Viewing Angle Range	θ		$\varnothing = 90^\circ$ $\varnothing = 270^\circ$ $\varnothing = 0^\circ$ $\varnothing = 180^\circ$	75	85	-		deg
CIE (x, y) Chromaticity	Rx	$\theta=0^\circ$ $\varnothing=0^\circ$ $T_a=25^\circ\text{C}$	0.22	0.26	0.30	-	FIG 3.	5
	Ry		0.20	0.24	0.28	-		
	Gx		0.34	0.38	0.42	-		
	Gy		0.50	0.54	0.58	-		
	Bx		0.10	0.14	0.18	-		
	By		0.09	0.13	0.17	-		
	Wx		0.28	0.32	0.36	-		
	Wy		0.29	0.33	0.37	-		

Note 1. Contrast Ratio (CR) is defined mathematically as below, for more information see Figure 3.

$$\text{Contrast Ratio} = \frac{\text{Average Surface Luminance with all white pixels (P1, P2, P3, P4, P5)}}{\text{Average Surface Luminance with all black pixels (P1, P2, P3, P4, P5)}}$$

Note 2. Surface luminance is measured 500mm from the center point of the LCD surface with all pixels displaying white. For more information see Figure 3.

$$L_v = \text{Average Surface Luminance with all white pixels (P1, P2, P3, P4, P5)}$$

Note 3. The uniformity in surface luminance δ WHITE is determined by measuring luminance at each test position 1 through 5, and then dividing the minimum luminance of 5 points luminance by maximum luminance of 5 points luminance. For more information see Figure 3.

$$\delta \text{ WHITE} = \frac{\text{Minimum Surface Luminance with all white pixels (P1, P2, P3, P4, P5)}}{\text{Maximum Surface Luminance with all white pixels (P1, P2, P3, P4, P5)}}$$

Note 4. Response time is the time required for the display to transition from white to black (Rise Time, Tr) and from black to white (Decay Time, Tf). For additional information see Figure 2. The test equipment is BM-7A.



Note 5. CIE (x, y) chromaticity, the x, y value is determined by measuring luminance at each test position 1 through 5, and then calculating the average value.

Note 6. For TFT module the contrast ratio is greater than 10. The angles are determined for the horizontal or x axis and the vertical or y axis with respect to the z axis which is normal to LCD surface. For more information see Figure 4.

Note 7. Viewing angle is measured at the center point of the LCD by CONOSCOPE (ergo-80). For response time testing, the testing data is based on BM-7A. Instruments for Contrast Ratio, Surface Luminance, Luminance Uniformity, Chromaticity the test data is based on SR-3A.

Figure 2. The definition of response time

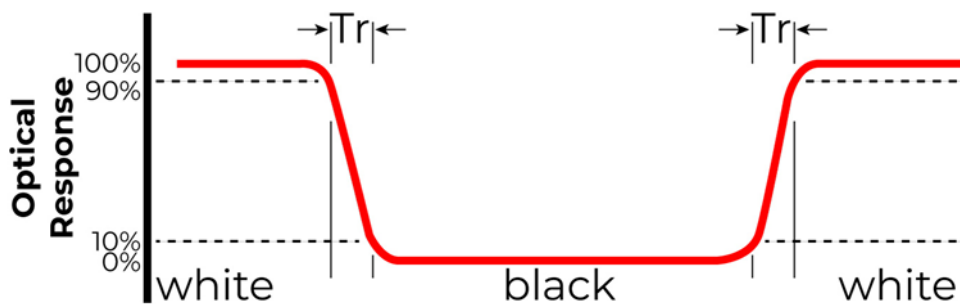


Figure 3. Measuring method for Contrast ratio, surface luminance, Luminance uniformity, CIE (x, y) chromaticity

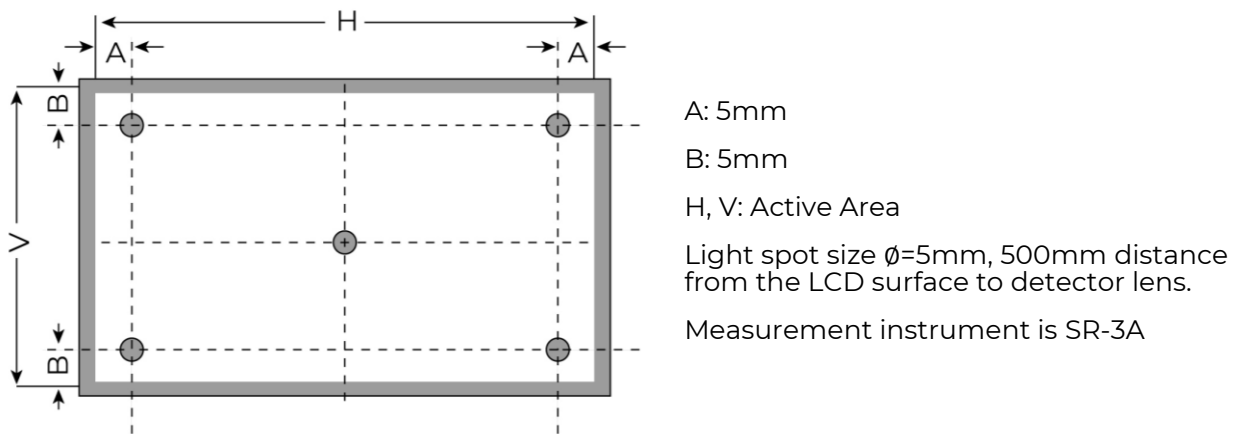
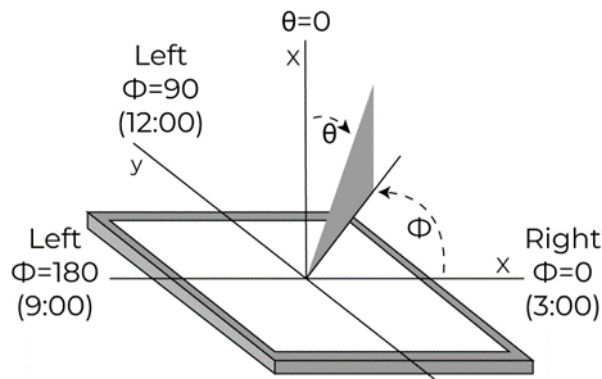




Figure 4. The definition of viewing angle



10. INTERFACES DESCRIPTION

10.1 J1 connector

PIN NO.	CONNECTOR	I/O/P	DESCRIPTION	NOTE
1	GND	P	Ground	
2	DSI_D0P	I/O	MIPI DSI differential data pair. (Data lane 0)	
3	DSI_D0N	I/O		
4	GND	P	Ground	
5	DSI_D1P	I	MIPI DSI differential data pair. (Data lane 1)	
6	DSI_D1N	I		
7	GND	P	Ground	
8	DSI_CLKP	I	MIPI DSI differential clock pair	
9	DSI_CLKN	I		
10	GND	P	Ground	
11	DSI_D2P	I	MIPI DSI differential data pair. (Data lane 2)	
12	DSI_D2N	I		
13	GND	P	Ground	
14	DSI_D3P	I	MIPI DSI differential data pair. (Data lane 3)	
15	DSI_D3N	I		
16	GND	P	Ground	
17	PWR_DN	I	Power down (With locally generated reset after releasing power-down) Active Low, display is off when signal is low;	Note 2
18	PWM	I	Backlight brightness control	Note 3
19	INT	O	Touch panel Interrupt signal; Open-drain output, active low	Note 2
20	I2C_SCL	I	I2C clock signal	
21	I2C_SDA	I/O	I2C data signal	
22	RESET	I	Touch panel reset	
23	NC	/	No connection	
24	V _{REF}	P	Reference voltage	
25	NC	/	No connection	



26	5.0V	P	Power supply V _{DD}	
27				
28				
29				
30	GND	P	Ground	
31	NC	/	No connection	
32				
33				
34				

Note 1. Matched 34 pins, 0.5 mm pitch, 150mm long FFC accessory: FFC0534150.

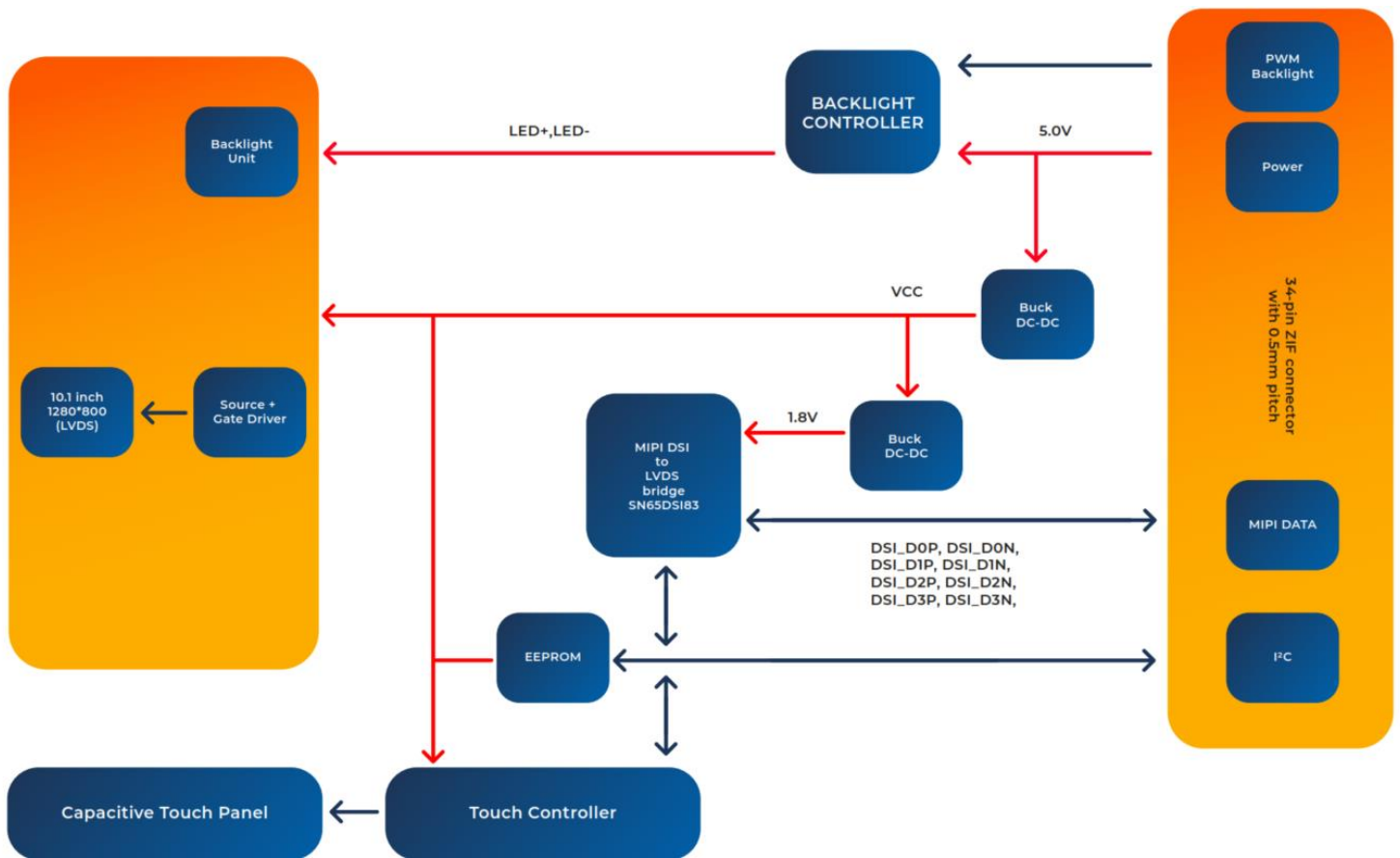
Note 2. Internally pull-up with 15K resistor to V_{REF}.

Note 3. Backlight driver is TPS61500. PWM frequency range: 200Hz-1KHz.

0% PWM duty cycle corresponds to minimum brightness.

100% PWM duty cycle corresponds to maximum brightness.

11. DIAGRAM BLOCK





12. TFT TIMING CHARACTERISTICS

The TFT of the module applies Riverdi high brightness, IPS, 10.1" TFT: RVTI01HVLNWC00-B

For detailed information of the display, please refer to datasheet of display.

12.1 Timing table

PARAMETER	SYMBOL	MIN	TYP	MAX	UNIT
Clock Frequency (Rate=60Hz (LVDS))	F_{DCLK}	66.3	72.4	78.9	MHz
HSYNC Period Time	T_H	1380	1440	1500	DCLK
Horizontal Display area	T_{HD}	1280			DCLK
Hsync Pulse Width	T_{HPW}	1	-	40	Tc
Hsync Back Porch (With pulse width)	T_{HBP}	88	88	88	DCLK
Hsync Front Porch	T_{HFP}	12	72	132	DCLK
VSYNC Period Time	T_V	824	838	872	H
Vertical Display area	T_{VD}	800			
Vsync Pulse Width	T_{VW}	1	-	20	
Vsync Back Porch (With pulse width)	T_{VBP}	23	23	23	
Vsync Front Porch	T_{VFP}	1	15	49	

13. CAPACITIVE TOUCH SCREEN PANEL SPECIFICATIONS

13.1 Mechanical characteristics

DESCRIPTION	SPECIFICATION	REMARK
Touch Panel Size	10.1 inch	uxTouch
Outline Dimension of CTP	257.96 mm x 168.60 mm	
Product Thickness	2.03 mm	
Glass Thickness	1.1 mm	
CTP View Area	217.96 mm x 136.60 mm	
Sensor Active Area	218.96mm x 137.60 mm	
Surface Hardness	7H	

13.2 Electrical characteristics

DESCRIPTION	SPECIFICATION	REMARK
Linearity	+/- 1.5mm	
Controller	ILI2132A	
Resolution	1280 x 800	

14. INSPECTION

Standard acceptance/rejection criteria for TFT module

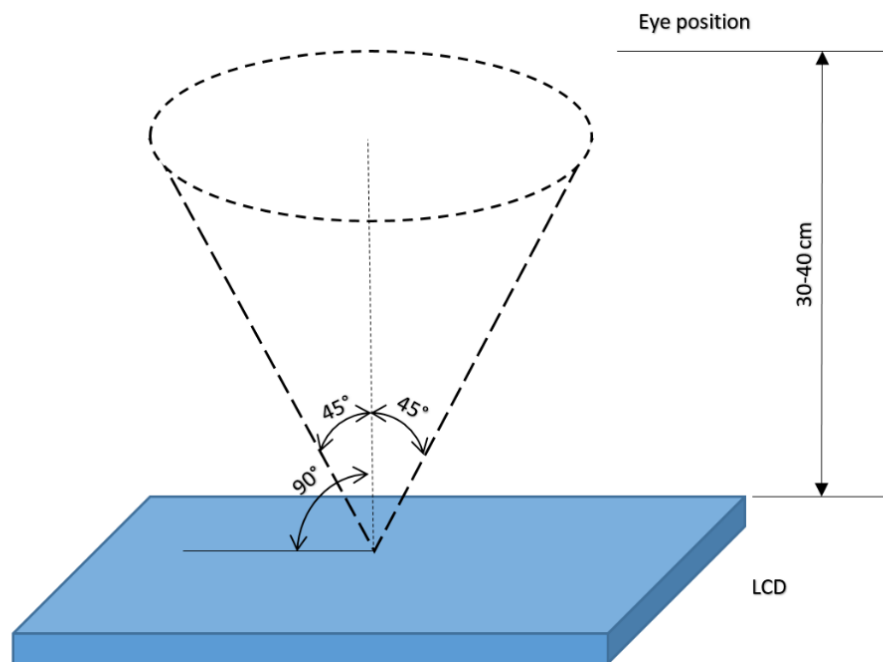
14.1 Inspection condition

Ambient conditions:

- Temperature: $25 \pm 2^{\circ}\text{C}$
- Humidity: $(60 \pm 10) \%RH$
- Illumination: Single fluorescent lamp non-directive (300 to 700 lux)

Viewing distance: $35 \pm 5\text{cm}$ between inspector bare eye and LCD.

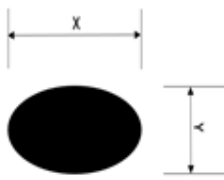
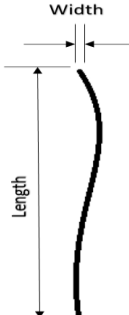
Viewing Angle: U/D: $45^{\circ}/45^{\circ}$, L/R: $45^{\circ}/45^{\circ}$





14.2 Inspection standard

The LCD TFT has zero bad pixels. Please refer the item “Bright/Dark dots”.

ITEM		CRITERION		
Black spots, white spots, light leakage, Foreign Particle (round Type)	 <p>$D=(x+y)/2$ Spots density: 10 mm</p>	Size =10.1"		
		Average Diameter	Qualified Qty	
		$D \leq 0.2$ mm	Ignored	
		$0.2 \text{ mm} < D \leq 0.3$ mm	N≤4	
		$0.5\text{mm} < D$	N = 0	
LCD black spots, white spots, light leakage (line Type)	 <p>Spots density: 10 mm</p>	Size =10.1"		
		Length	Width	Qualified Qty
		-	$W \leq 0.05$	Ignored
		$L \leq 5.0$	$0.05 < W \leq 0.1$	$N \leq 3$
		$5.0 < L$	$0.10 < W$ $5.0 < L$	N = 0
Bright/Dark Dots	Size =10.1"			
	Item		Qualified Qty	
	Bright dots		0	
	Dark dots		0	
	Cluster Bright Dots or Dark Dots		0	
Total Bright and Dark Dots		0		
Clear spots	Size ≥ 5"			
	Average Diameter		Qualified Qty	
	$D < 0.2$ mm		Ignored	
	$0.2 \text{ mm} < D < 0.3$ mm		4	
	$0.3 \text{ mm} < D < 0.5$ mm		2	
	$0.5 \text{ mm} < D$		0	
Spots density: 10 mm				
Touch panel spot	Size ≥ 5"			
	Average Diameter		Qualified Qty	
	$D < 0.25$ mm		Ignored	
	$0.25 \text{ mm} < D < 0.5$ mm		4	
$0.5 \text{ mm} < D$		0		
Touch panel White line Scratch	Size ≥ 5"			
	Length	Width	Qualified Qty	
	-	$W < 0.03$	Ignored	
	$L < 5.0$	$0.03 < W < 0.05$	2	
-	$0.05 < W$	0		



15. RELIABILITY TEST

NO.	TEST ITEM	TEST CONDITION	NOTE
1	High Temperature Storage	80°C/120 hours	Note 1
2	Low Temperature Storage	-30°C/120 hours	
3	High Temperature Operating	70 °C /120 hours	
4	Low Temperature Operating	-20°C/120 hours	
5	High Temperature and High Humidity	Humidity 40°C, 90%RH, 120Hrs	
6	Thermal Cycling Test (No operation)	-20°C for 30min, 70°C for 30 min. 100 cycles. Then test at room temperature after 1 hour	Note 2
7	Vibration Test	Frequency: 10 ÷ 55 Hz. Stroke: 1.5 mm. Sweep: 10Hz ÷ 55Hz ÷ 10 Hz. 2 hours for each direction of X, Y, Z (Total 6 hours)	
8	Package Drop Test	Height: 60 cm 1 corner, 3 edges, 6 surfaces	

Note 1. Sample quantity for each test item is 5 ÷ 10 pcs.

Note 2. Before cosmetic and function test, the product must have enough recovery time, at least 2 hours at room temperature.



16.LEGAL INFORMATION

CE marking is usually obligatory only for a complete end product. Riverdi display modules are semi-finished goods which are used as inputs to become part of the finished products. Therefore, Riverdi display modules are not CE marked.

Riverdi grants the guarantee for the proper operation of the goods for a period of 12 months from the date of possession of the goods. If in a consequence of this guaranteed execution the customer has received the defects-free item as replacement for the defective item, the effectiveness period of this guarantee shall start anew from the moment the customer receives the defects-free item.

Information about device is the property of Riverdi and may be the subject of patents pending or granted. It is not allowed to copy or disclosed this document without prior written permission.

Riverdi endeavors to ensure that all contained information in this document is correct but does not accept liability for any error or omission. Riverdi products are in developing process and published information may be not up to date. Riverdi reserves the right to update and makes changes to Specifications or written material without prior notice at any time. It is important to check the current position with Riverdi.

Images and graphics used in this document are only for illustrative the purpose. All images and graphics are possible to be displayed on the range products of Riverdi, however the quality may vary. Riverdi is no liable to the buyer or to any third party for any indirect, incidental, special, consequential, punitive or exemplary damages (including without limitation lost profits, lost savings, or loss of business opportunity) relating to any product, service provided or to be provided by Riverdi, or the use or inability to use the same, even if Riverdi has been advised of the possibility of such damages.

Riverdi products are not fault tolerant nor designed, manufactured or intended for use or resale as on line control equipment in hazardous environments requiring fail-safe performance, such as in the operation of nuclear facilities, aircraft navigation or communication systems, air traffic control, direct life support machines or weapons systems in which the failure of the product could lead directly to death, personal injury or severe physical or environmental damage ('High-Risk Activities'). Riverdi and its suppliers specifically disclaim any expressed or implied warranty of fitness for High-Risk Activities. Using Riverdi products and devices in 'High-Risk Activities' and in any other application is entirely at the buyer's risk, and the buyer agrees to defend, indemnify and hold harmless Riverdi from all damages, claims or expenses resulting from such use. No licenses are conveyed, implicitly or otherwise, under any Riverdi intellectual property rights.

Hi, I am here to help you!
If you have any additional
questions, please contact
our support via email:
contact@riverdi.com

