

MM70 Series Replacement Release

JAE is now releasing the replacement for the MM70 Series. One new variation of the MM70 Series connectors will be made available as an alternative for parts which were recently discontinued or will be discontinued in 2021. Although the MM70 was originally developed for the MXM 3.0 graphics card standard, it has been repurposed for various computing applications where a high pin count connector is required to interface between a single board computer card and the mother board. Below is a description of the new item as well as differences with the older MM70 part numbers. We recommend that all existing customers using the older MM70 parts transition to the new part as soon as possible.

1. New Part Number:

MM70-314B1-2-R300

2. Old Part Numbers Being Discontinued in 2020 and 2021:

a. PCB Footprint, Form Factor, and Card Interface Compatible

MM70-314-310B1-1-R300

MM70-314-310B1-2-R300

b. Card Interface Compatible Only

MM70-314-310B2-1-R500

MM70-314-310B2-2-R500

MM70-314B2-1-R500

3. Part Number Comparison

| Part Number | Number of Pins Loaded | Gold Plating Thickness | Connector Height | PCB Footprint | Card Interface |
|-----------------------|-----------------------|------------------------|------------------|---------------|----------------|
| MM70-314B1-2-R300 | 314 | 0.3µm minimum | 6.7mm | Type B1 | MXM 3.0 |
| MM70-314-310B1-1-R300 | 310 out of 314 | 0.1µm minimum | 6.7mm | Type B1 | MXM 3.0 |
| MM70-314-310B1-2-R300 | 310 out of 314 | 0.3µm minimum | 6.7mm | Type B1 | MXM 3.0 |
| MM70-314-310B2-1-R500 | 310 out of 314 | 0.1µm minimum | 4.3mm | Type B2 | MXM 3.0 |
| MM70-314-310B2-2-R500 | 310 out of 314 | 0.3µm minimum | 4.3mm | Type B2 | MXM 3.0 |
| MM70-314B2-1-R500 | 314 | 0.1µm minimum | 4.3mm | Type B2 | MXM 3.0 |

PCB Footprint

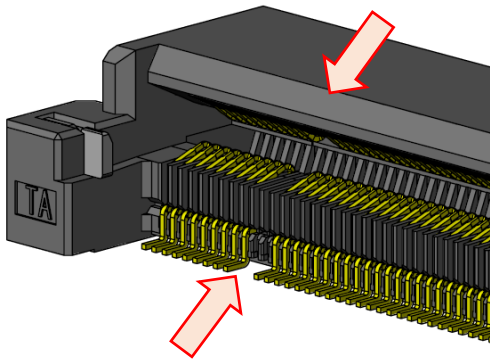
The B1 and B2 type footprint are similar but will require small repositioning of surface mount pads and the 2 drilled holes. Pin assignment is the same for both types so similar signal routing should be possible.

Terminal Coplanarity

The tolerance for coplanarity of the surface mount terminals shown in the drawing will change to 0.3mm max for the new connector.

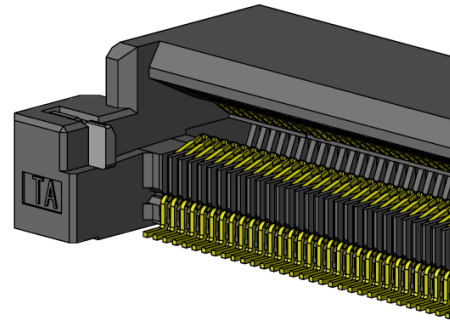
310 Pin vs. 314 Pin

In the original MXM 3.0 use cases, there were four contacts in the connector which were not necessary for normal operation, so those contacts were not loaded into the connectors with only 310 pins. The new connector has all of the contacts loaded so that it will work with both MXM 3.0 and new single board computer applications that require all 314 pins.



310 Pin

4 positions are not populated



314 Pin

All positions are populated

If you have any questions regarding this matter, please contact your JAE account manager.

Thank you for your cooperation.



