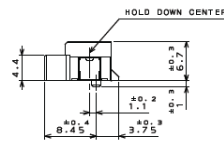
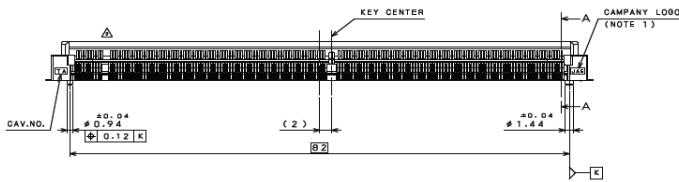
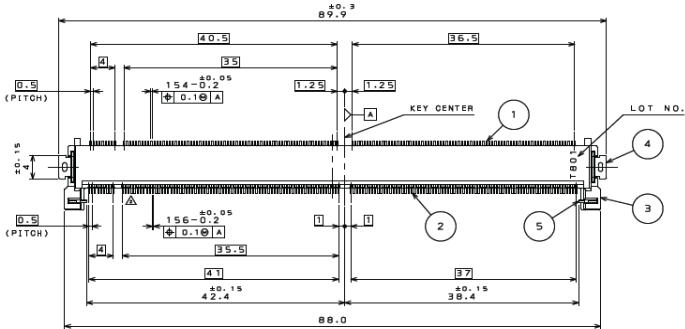


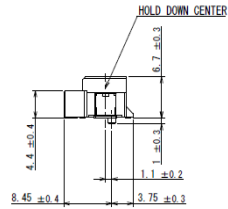
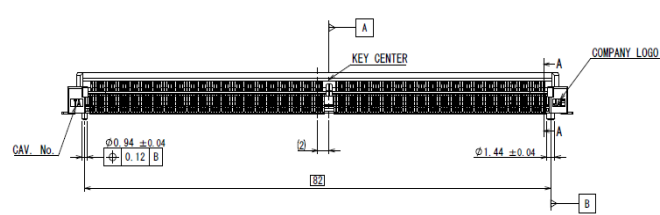
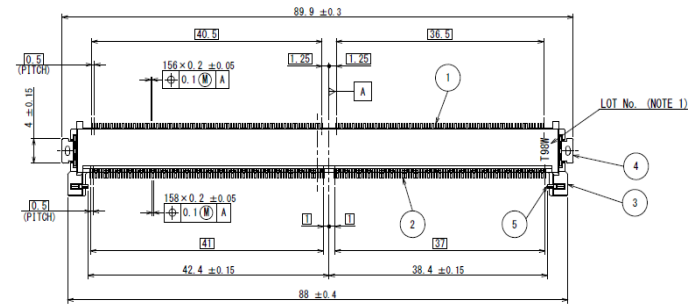
MM70-314-310B1-1-R300



Dimensions same for both

Pin Count 310
 Height 3.0mm
 Gold plating 0.1μ
 Coplanarity 0.1

MM70-314B1-2-R300



Pin Count 314
 Height 3.0mm
 Gold plating 0.3μ
 Coplanarity 0.3