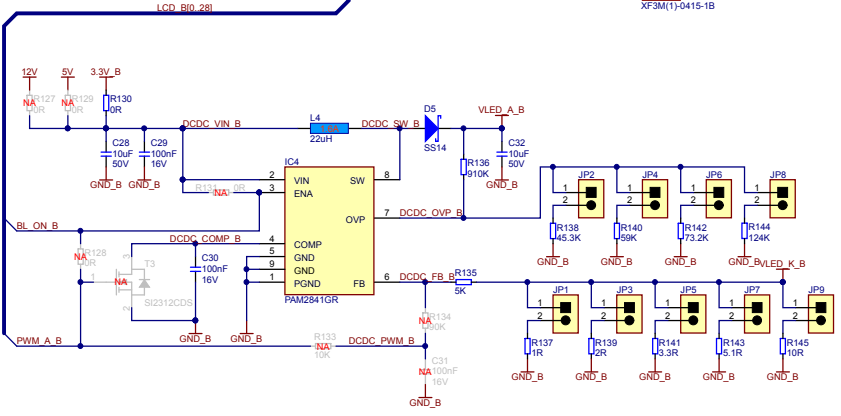


XF2M-4015-1A
Toradex Unified Interface Display Connector



Note: Use R135 = 0 ohm instead of 5 Kohm, if PWM control is not used.

Over Voltage Protection	
V (OVP) = 1.2V, R9 = 910 Kohm	
Cut-off Voltage (V)	Voltage Divider Resistor Value (R11) in Ohm
10V	124 K-Ohm
16V	73.2 K-Ohm
20V	58.3 K-Ohm
25V	45.9 K-Ohm

Over Current Protection	
Feedback Voltage, V (FB) = 200mV	
LED Forward Current (mA)	Current Sense Resistor Value (R13) in Ohm
200mA	1 Ohm
100mA	2 Ohm
60mA	3.3 Ohm
40mA	5.1 Ohm
20mA	10 Ohm



