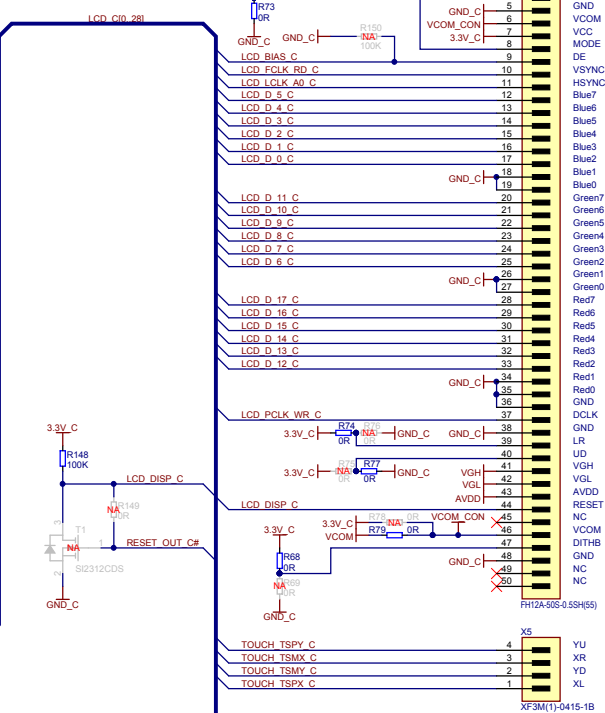
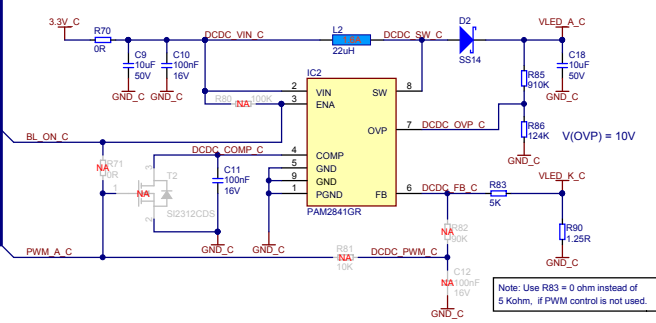
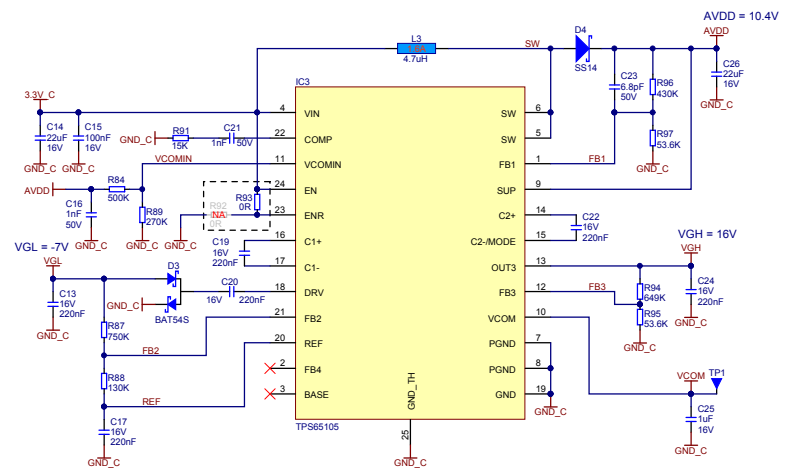


XF2M-4015-1A  
Toradex Unified Interface Display Connector



PH12A-50S-05SH(55)  
XF3M(1)-0415-1B



Note: Use R83 = 0 ohm instead of 5 Kohm, if PWM control is not used.



Title <b>Generic LCD Adapter</b>		Toradex AG Allsagenstrasse 5 Horw 6048 Switzerland	
Size: A3	Number: 4.	Revision: V1.0	
Date: 10/21/2015	Time: 2:02:23 PM	Sheet 4 of 6	
File: Tianma7p0L.ed.Sch.Doc			