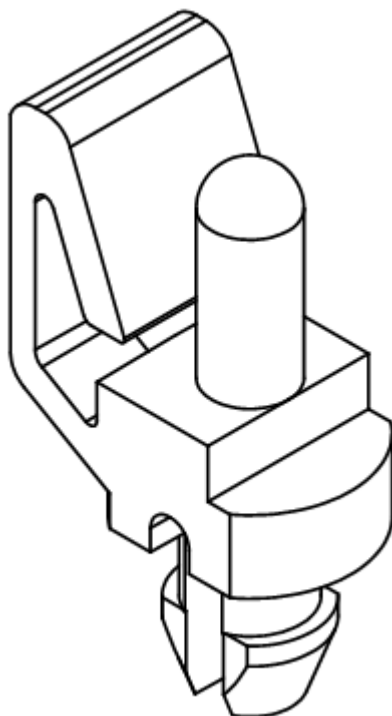


# Colibri Fastener

## Datasheet



## Revision History

Date	Doc. Rev.	Colibri Fastener Version	Changes
22-Oct-07	Rev. 1.0	V1.0	Initial release
08-Nov-07	Rev. 1.1	V1.0	Added UL compliance
08-Feb-11	Rev. 1.2	V1.0	Added additional mounting instructions
19-Sep-14	Rev. 2.0	V2.0	Colibri Fastener 2.0
08-Jan-15	Rev. 2.1	V2.0	Added notes about the supported module and SODIMM connector heights.
28-Mar-16	Rev. 2.2	V2.0	Updated Colibri Fastener Dimensional Drawing (Fig 2)

1. Introduction .....	4
2. Mounting.....	4
3. Mounting Hole Positions .....	5
4. Material.....	5
5. Drawings .....	6

## 1. Introduction

---

The Colibri Fastener is made for a better fixation of the Colibri on its carrier board. Two of them can be inserted into prefabricated holes on the carrier board. After this, the Colibri module can be easily clipped into the locking mechanism of the Colibri Fastener.

**Please note that the Colibri Fastener supports module heights of 5.2mm only. SODIMM connectors with other module heights are not supported.**

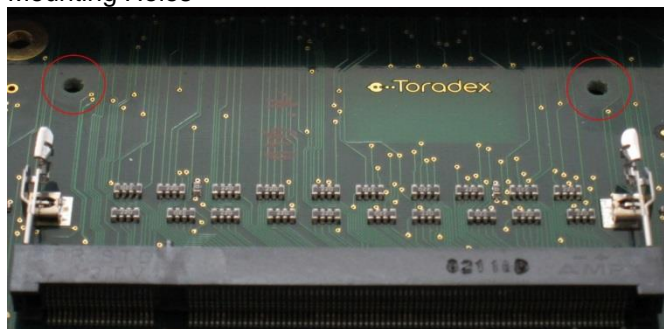
## 2. Mounting

---

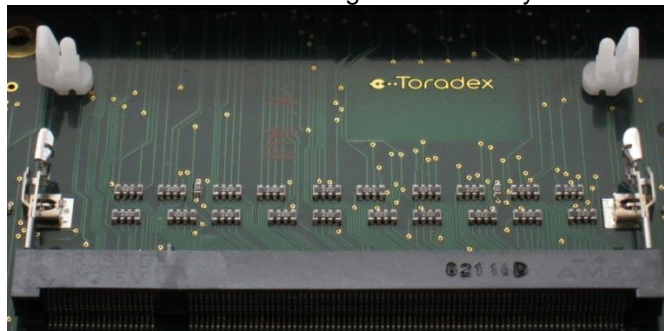
All carrier boards from Toradex provide mounting holes for two Colibri Fasteners except for the Viola Carrier Board where another fastener mechanism is used. The following pictures show you how to install the Colibri Fasteners and fix the Colibri computer module firmly in its SO-DIMM socket.

Inserting the Colibri module is critical, if done wrong the Colibri can be damaged due mechanical stress! Please look for the Colibri Fastener Video on our Webpage for more detailed information about the insertion process. <http://developer.toradex.com/product-selector/colibri-fastener>

### 1. Mounting Holes



### 2. Insert the Fasteners and align them correctly



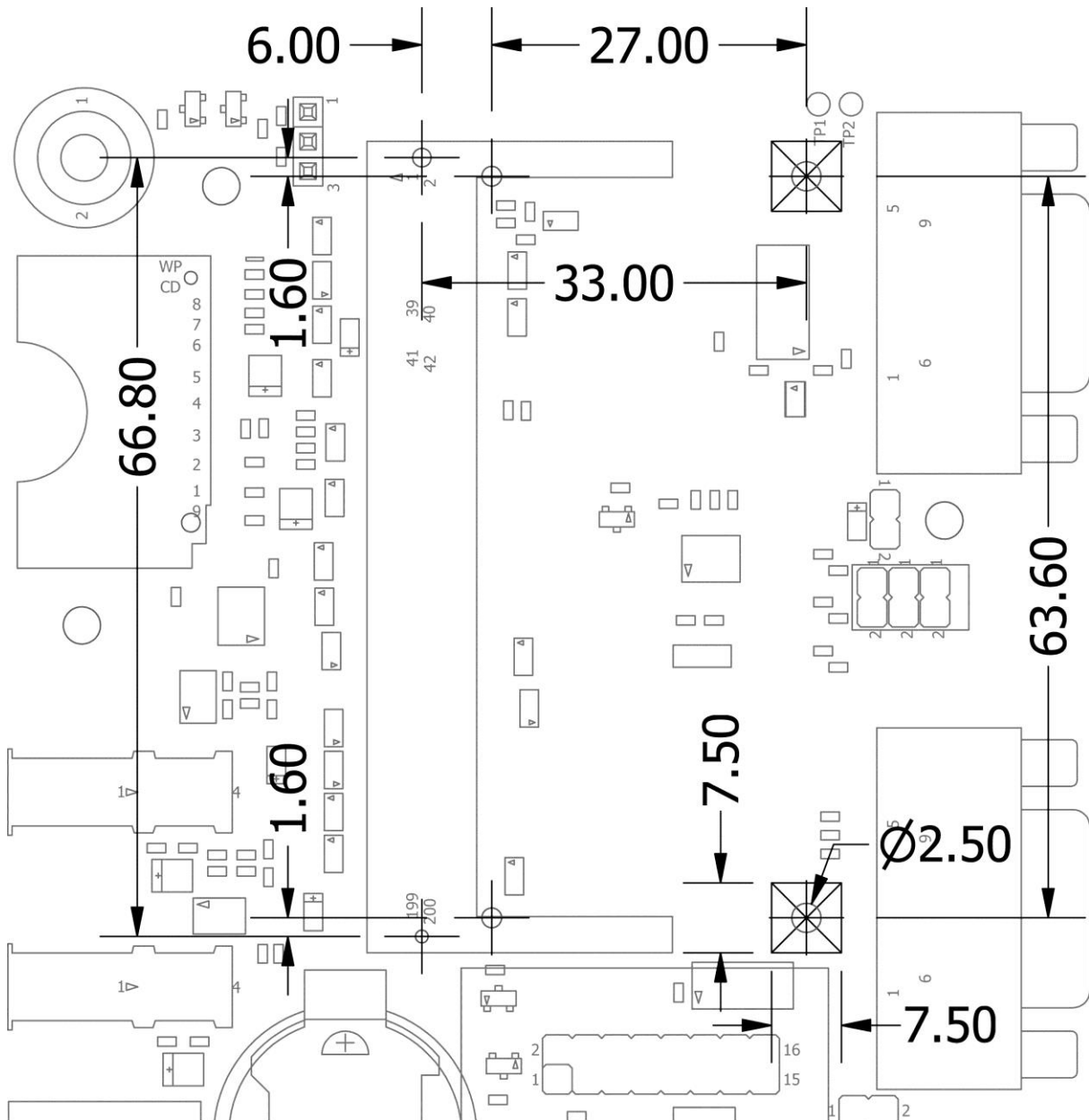
### 3. Insert the Module with care and make sure the fastener snaps-in properly.



### 3. Mounting Hole Positions

If you are using a custom designed carrier board, please consider the following drawings to locate the mounting holes. Toradex provides Altium project data for its carrier boards where the mounting holes are available.

<http://developer.toradex.com/hardware-resources/arm-family/carrier-board-design>

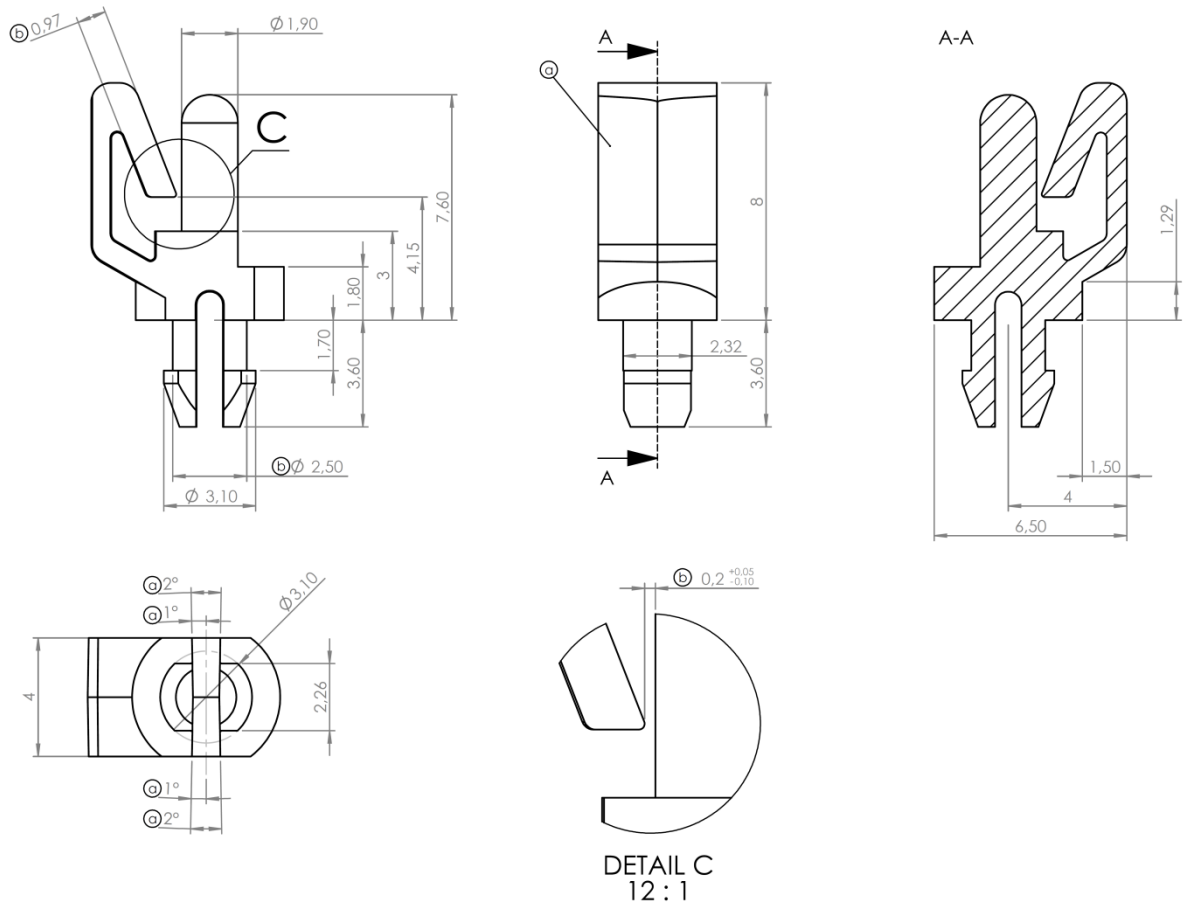


**Fig.1 Colibri Fastener Mounting Hole Positions**  
All dimensions are in millimetres (mm)

### 4. Material

The Colibri Fasteners consist of POM - *Ultraform S2320-003* which meets the UL 94 HB standard.

## 5. Drawings



**Fig.2 Colibri Fastener Mechanical Dimensions**  
All dimensions are in millimetres (mm)

**Disclaimer:**

Copyright © Toradex AG. All rights reserved. All data is for information purposes only and not guaranteed for legal purposes. Information has been carefully checked and is believed to be accurate; however, no responsibility is assumed for inaccuracies. Brand and product names are trademarks or registered trademarks of their respective owners. Specifications are subject to change without notice.

**Trademark Acknowledgement:**

Brand and product names are trademarks or registered trademarks of their respective owners.