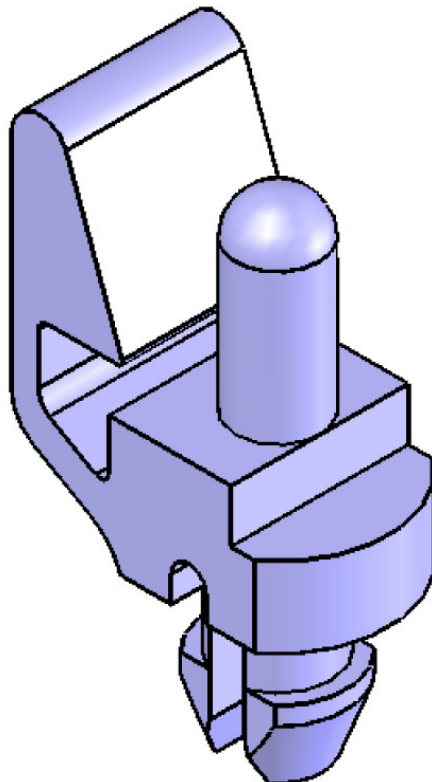


Colibri Fastener

Datasheet



Revision History

Date	Doc. Rev.	Colibri Fastener Version	Changes
22-Oct-07	Rev. 1.0	V1.00	Initial release
08-Nov-07	Rev. 1.1	V1.00	Added UL compliance
08-Feb-11	Rev. 1.2	V1.00	Added additional mounting instructions

Contents

1. Introduction	4
2. Mounting.....	4
3. Material.....	5
4. Drawings	6

1. Introduction

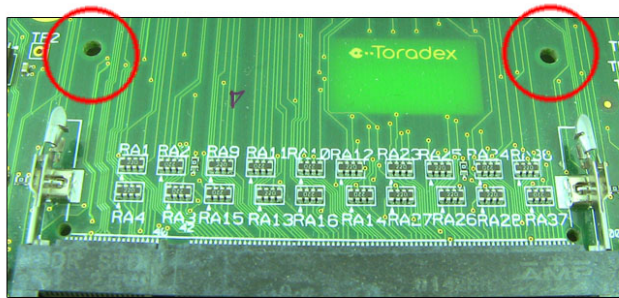
The Colibri Fastener is made for a better fixation of the Colibri on its carrier board. Two of them can be inserted into prefabricated holes on the carrier board. After this, the Colibri module can be easily clipped into the locking mechanism of the Colibri Fastener.

2. Mounting

All carrier boards from Toradex provide mounting holes for two Colibri Fasteners. The following pictures show you how to install the Colibri Fasteners and fix the Colibri computer module firmly in its SO-DIMM socket.

Inserting the Colibri module is critical, if done wrong the Colibri can break due mechanical stress! Please look for the Colibri Fastener Video on our Webpage for more detailed information about the insertion process.

These holes are available on every Toradex carrier board



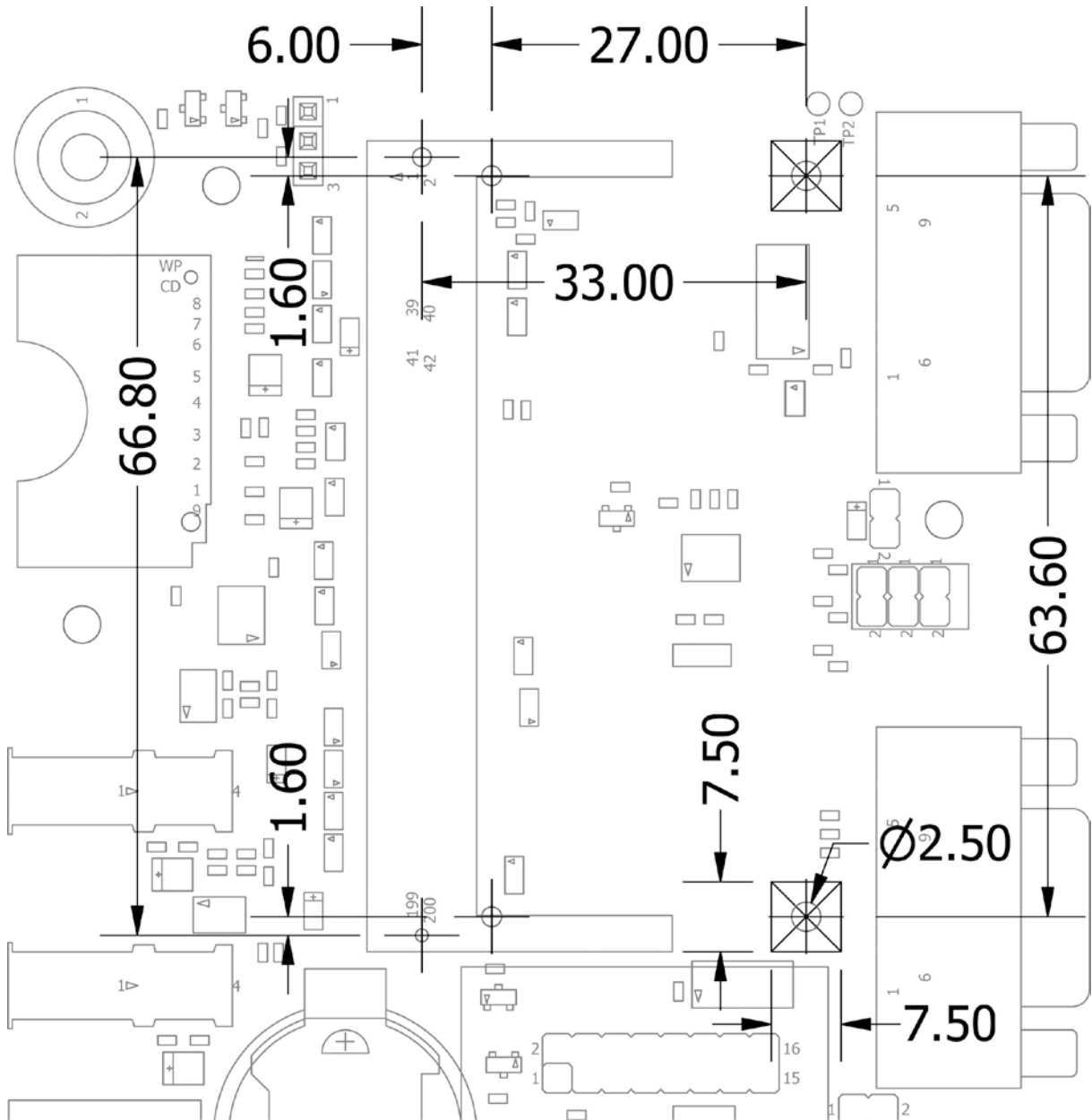
Insert the two Colibri Fasteners



Mount the Colibri computer module



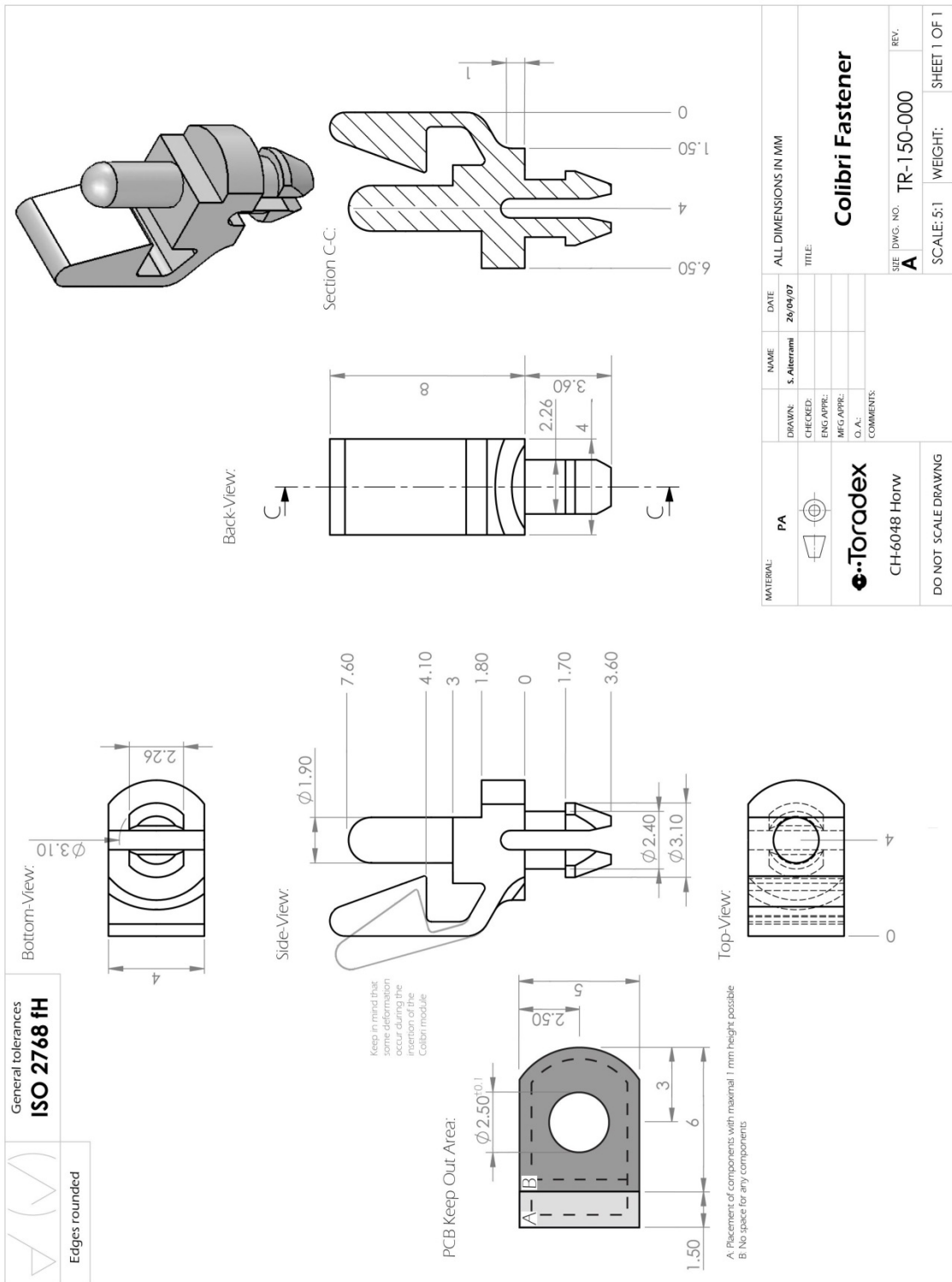
If you are using a self designed carrier board, please consider the following drawings to locate the mounting holes properly.



3. Material

The Colibri Fasteners consist of polyamide plastic which meets the UL 94 HB standard

4. Drawings



Disclaimer:

Copyright © Toradex AG. All rights reserved. All data is for information purposes only and not guaranteed for legal purposes. Information has been carefully checked and is believed to be accurate; however, no responsibility is assumed for inaccuracies.

Brand and product names are trademarks or registered trademarks of their respective owners. Specifications are subject to change without notice.